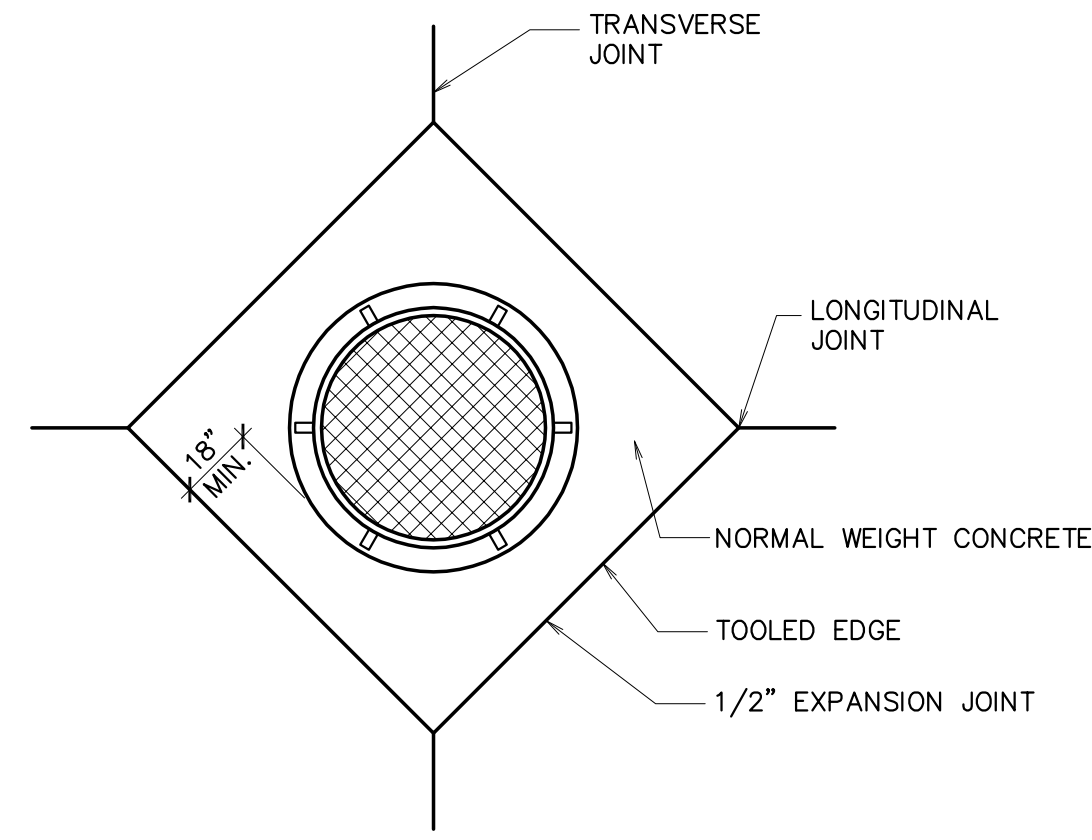
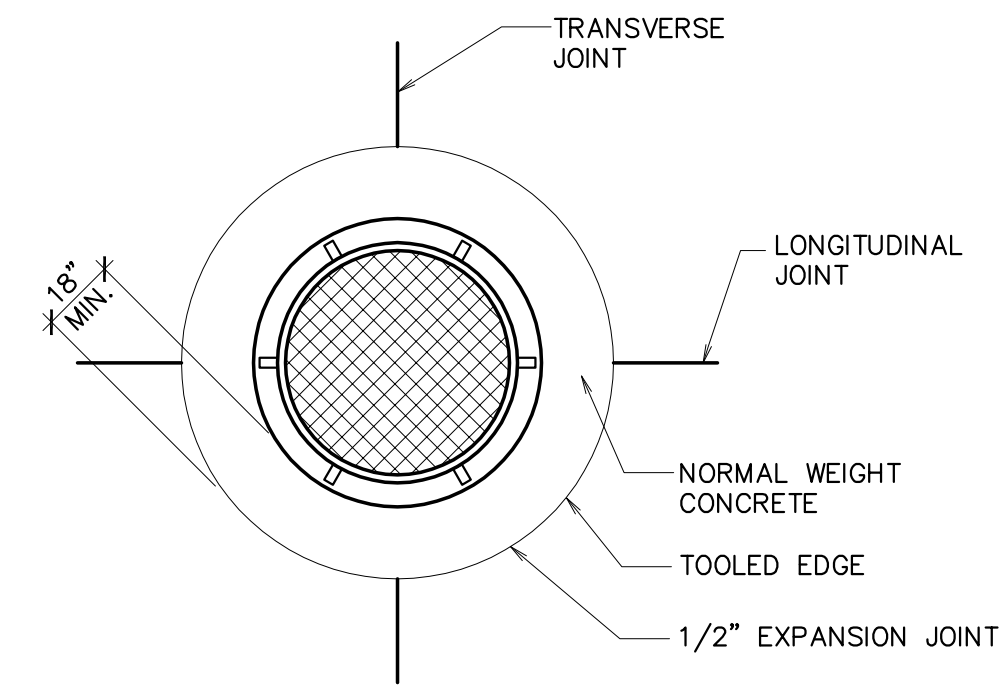


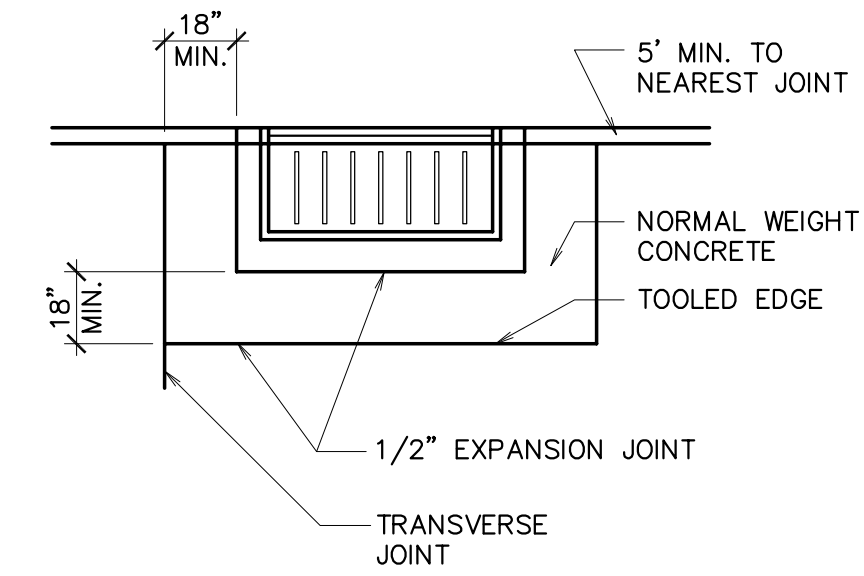
A EMBEDDED RING INFILLTROMETER
1/4" = 1'-0"



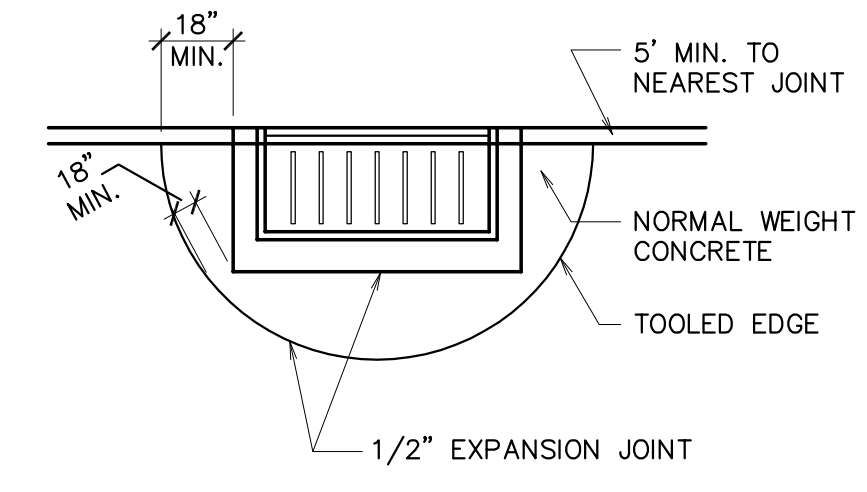
B DIAMOND MANHOLE ISOLATION
1/4" = 1'-0"



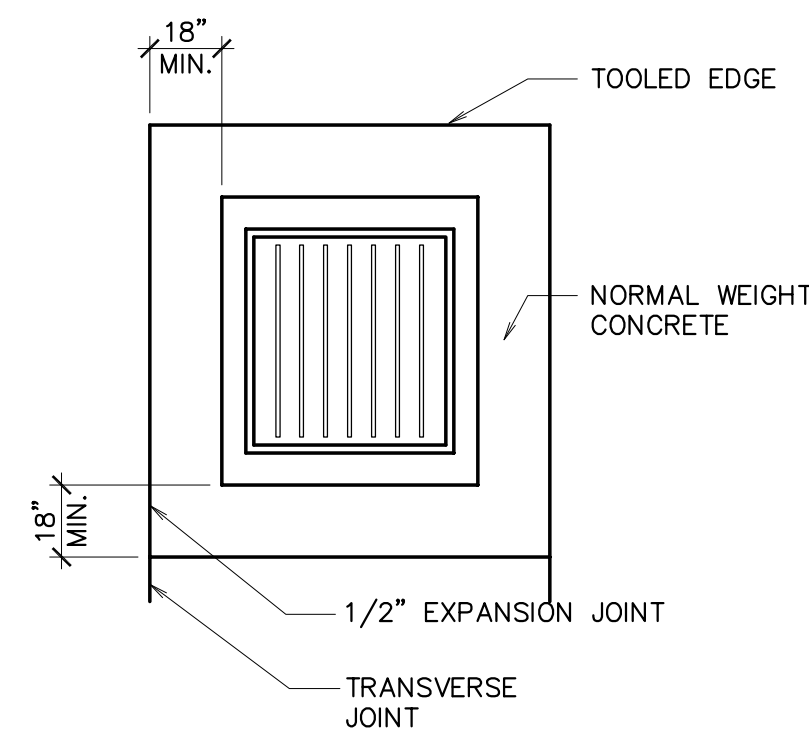
C CIRCULAR MANHOLE ISOLATION
1/4" = 1'-0"



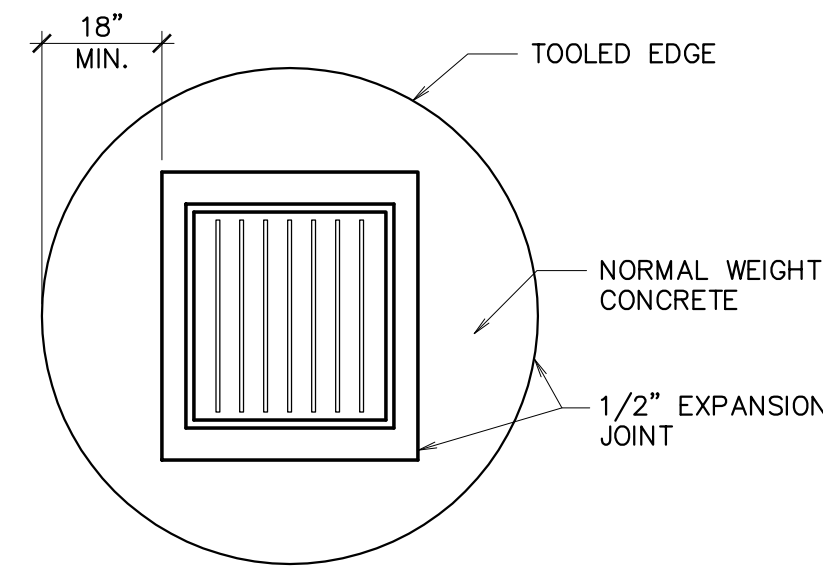
D CURB DRAINAGE INLET ISOLATION
1/4" = 1'-0"



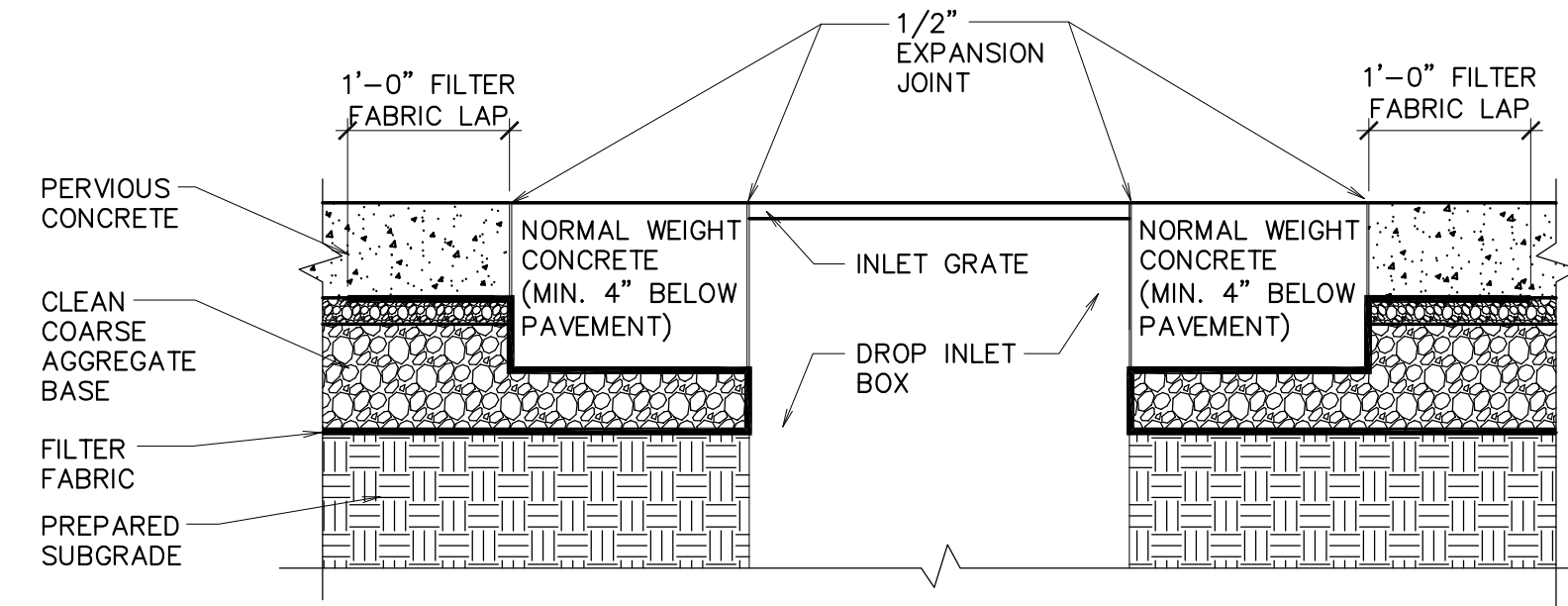
E CURB DRAINAGE INLET CIRCULAR ISOLATION
1/4" = 1'-0"



F DRAINAGE INLET SQUARE ISOLATION
1/4" = 1'-0"



G DRAINAGE INLET CIRCULAR ISOLATION
1/4" = 1'-0"



H DRAINAGE INLET CROSS SECTION
N.T.S.

Project for:
**THE CHURCH OF
JESUS CHRIST
OF LATTER-DAY SAINTS**

Mark	Date	By	Description

Sheet Title:
**SITE CIVIL
DETAILS FOR
PERVIOUS
CONCRETE
GROUND WATER
RECHARGABLE
BED**

Sheet:
C705