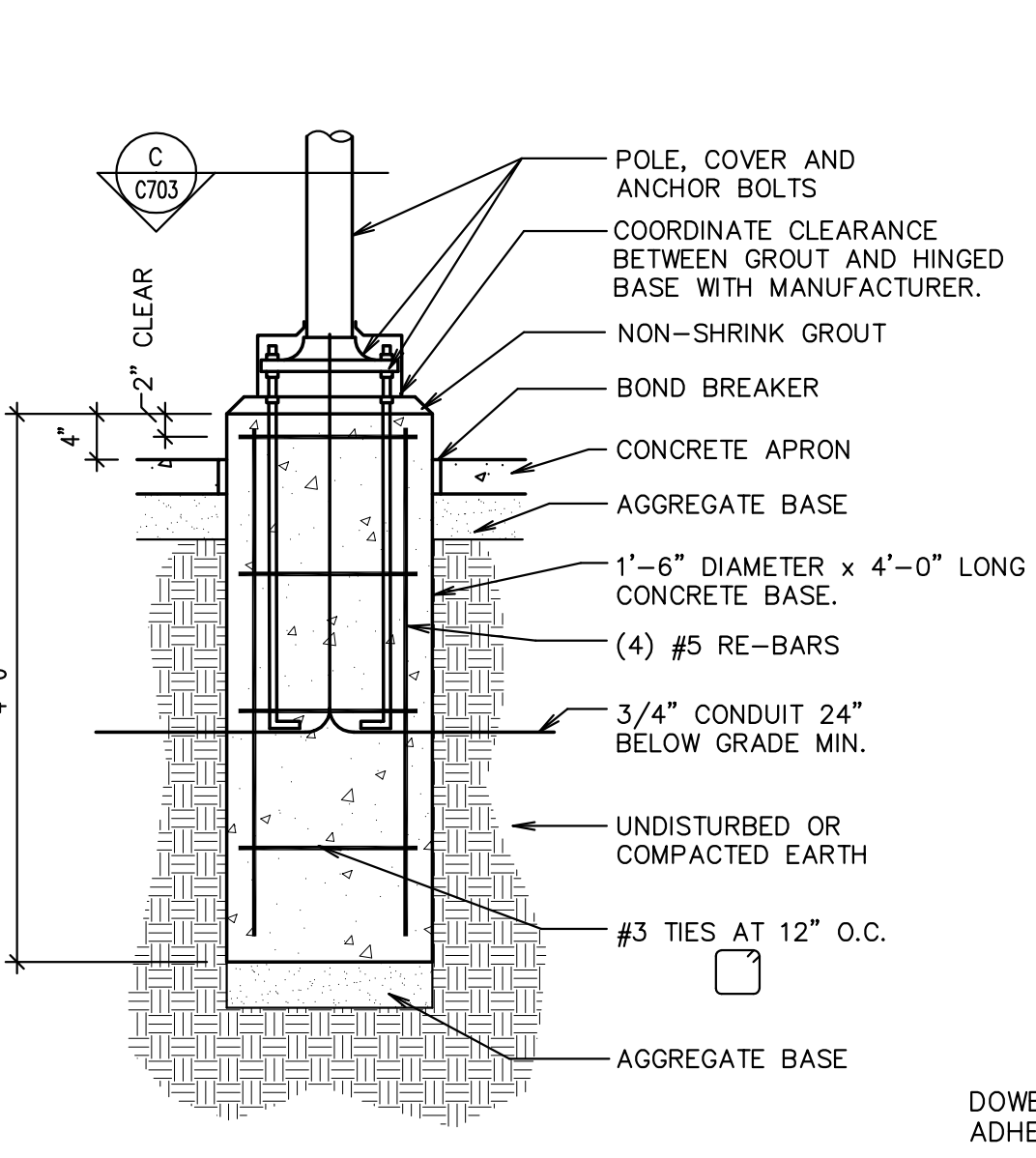
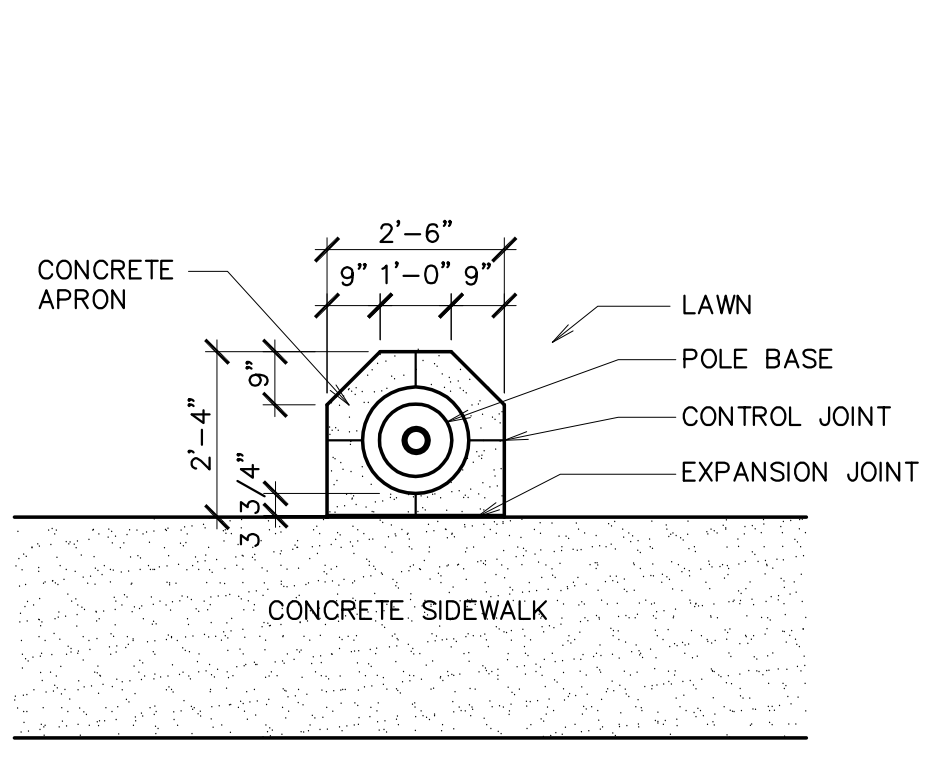


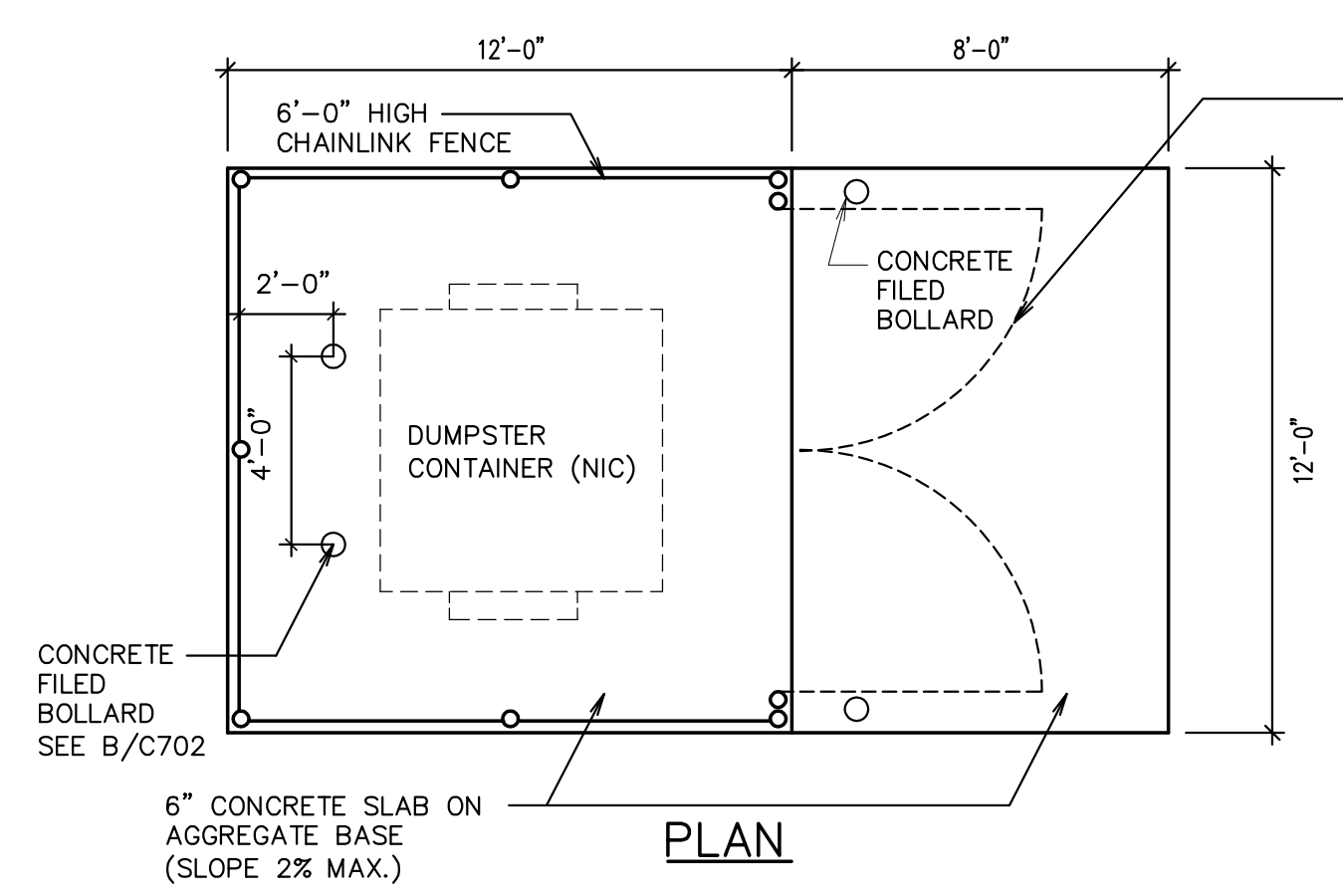
A PARKING LOT POLE BASE
3/4" = 1'-0"



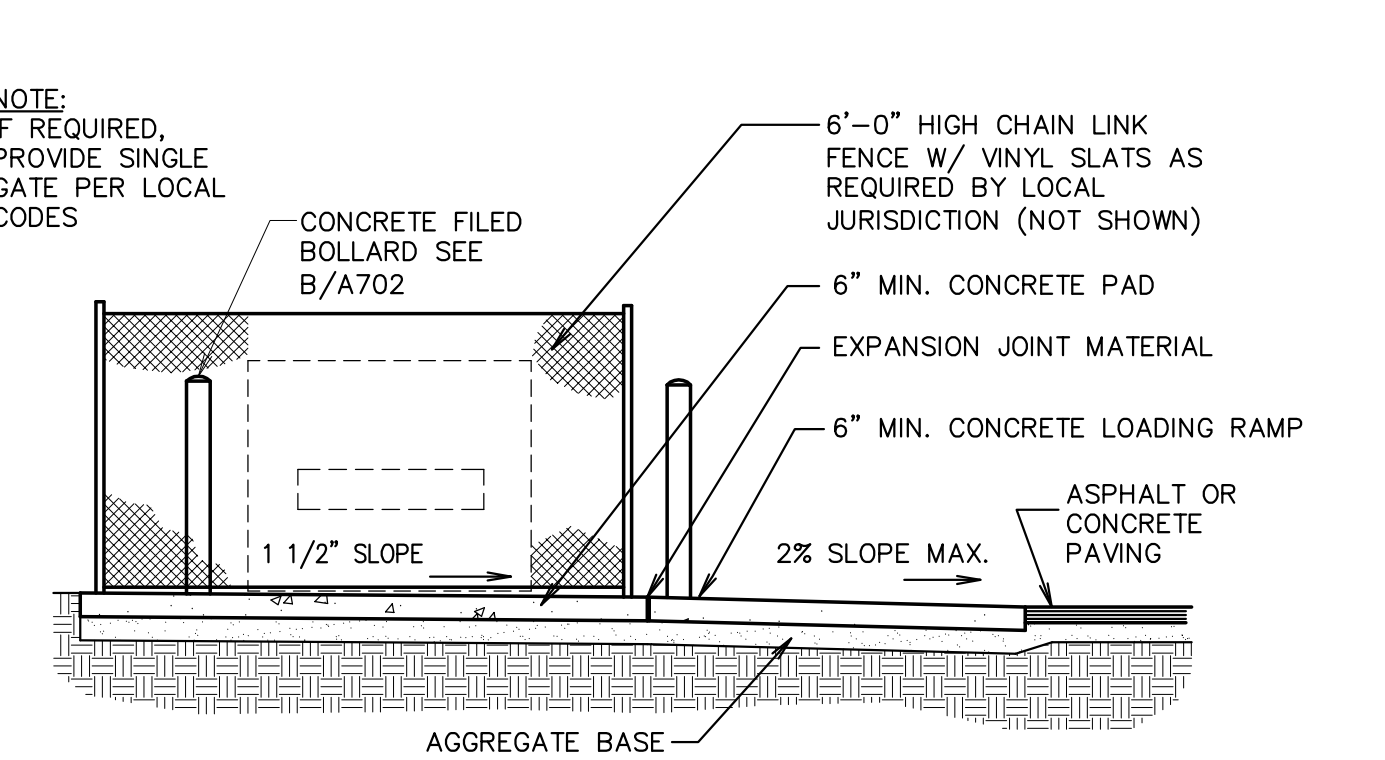
B SIDEWALK AREA POLE BASE
3/4" = 1'-0"



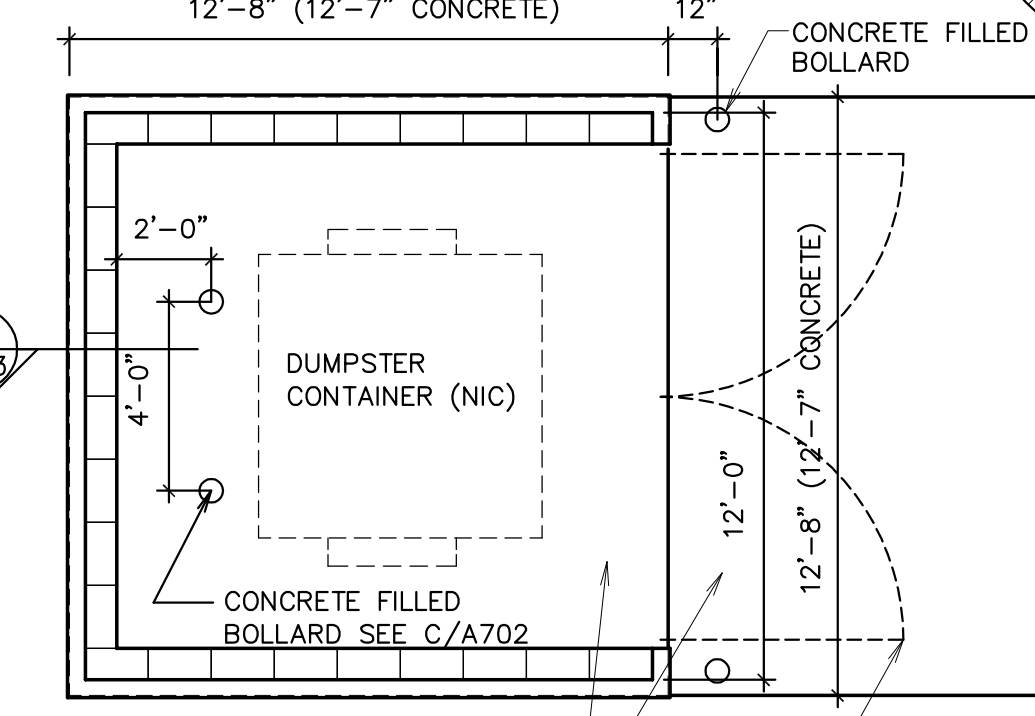
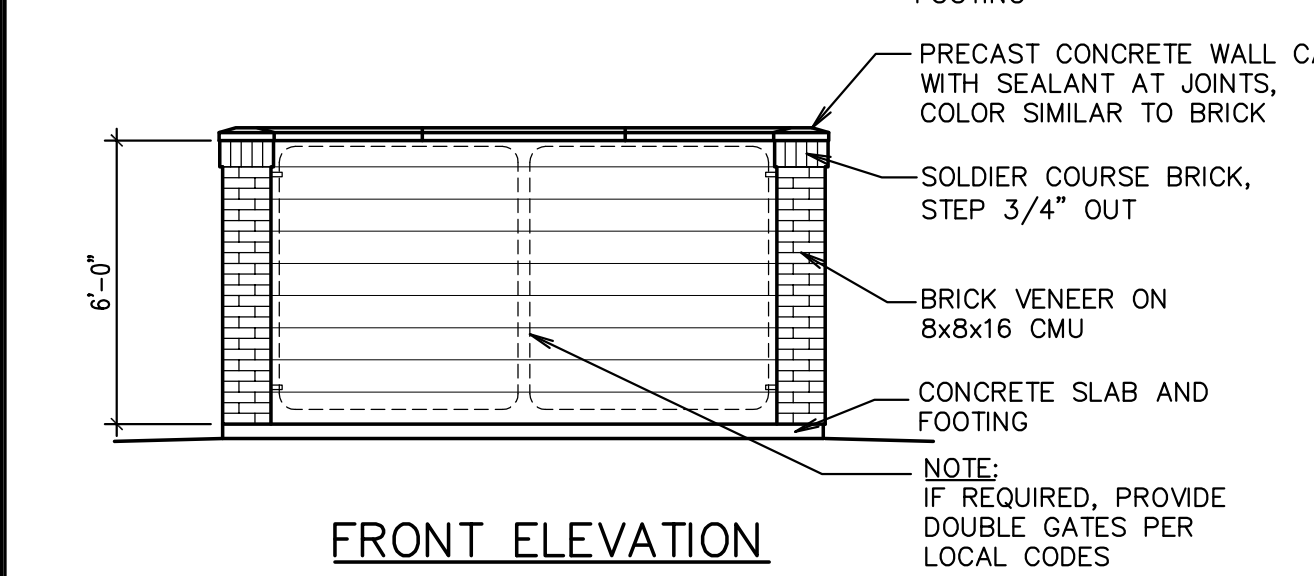
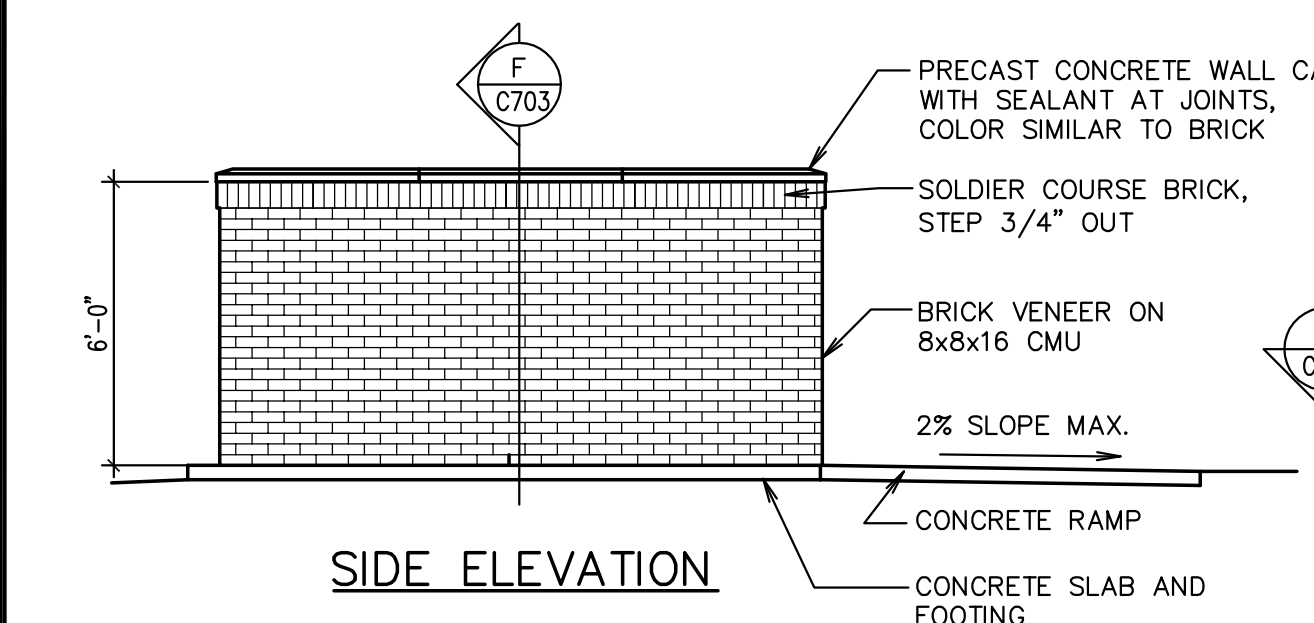
C POLE BASE PLAN VIEW
3/8" = 1'-0"



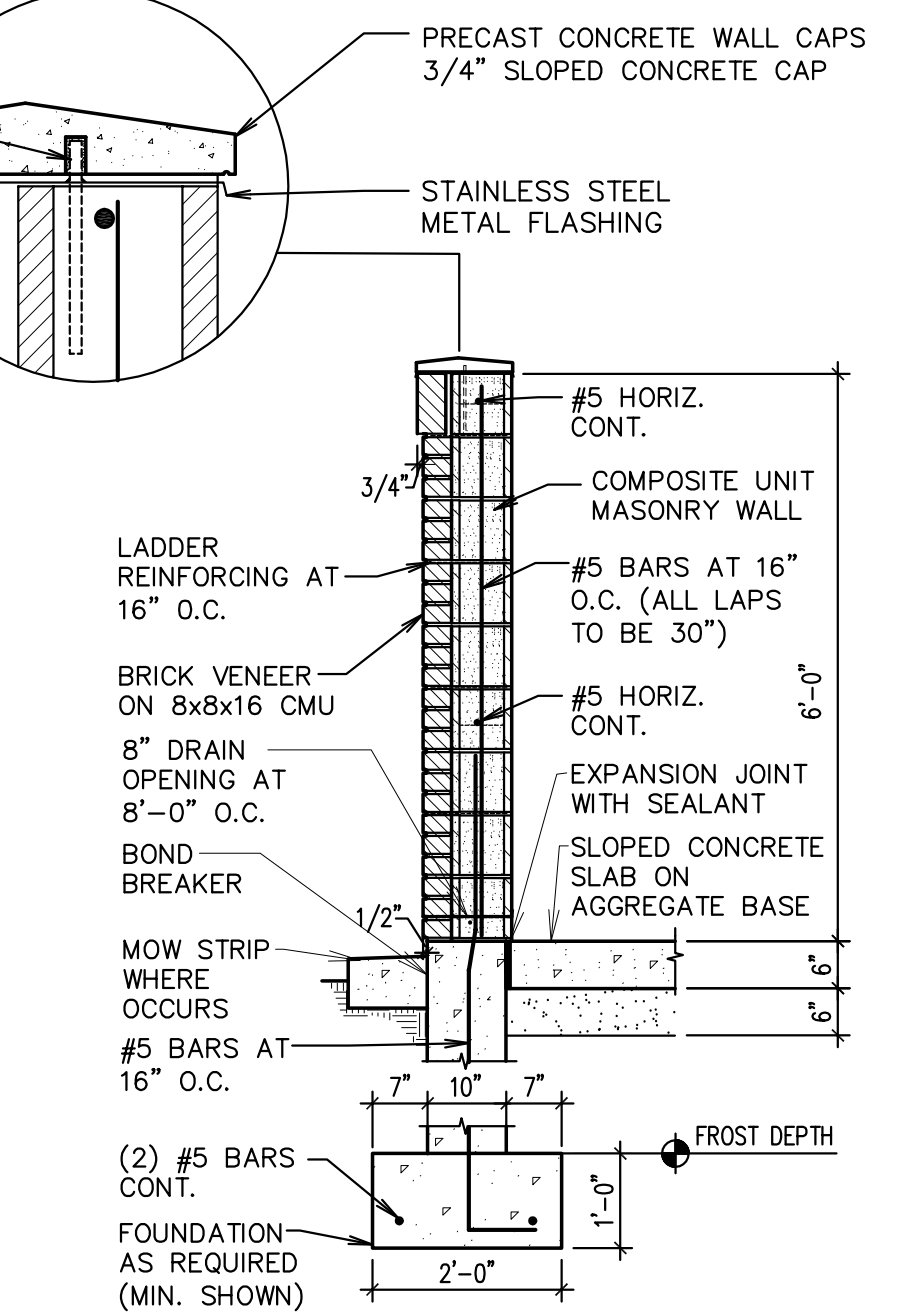
D CHAIN LINK DUMPSTER ENCLOSURE
1/4" = 1'-0"



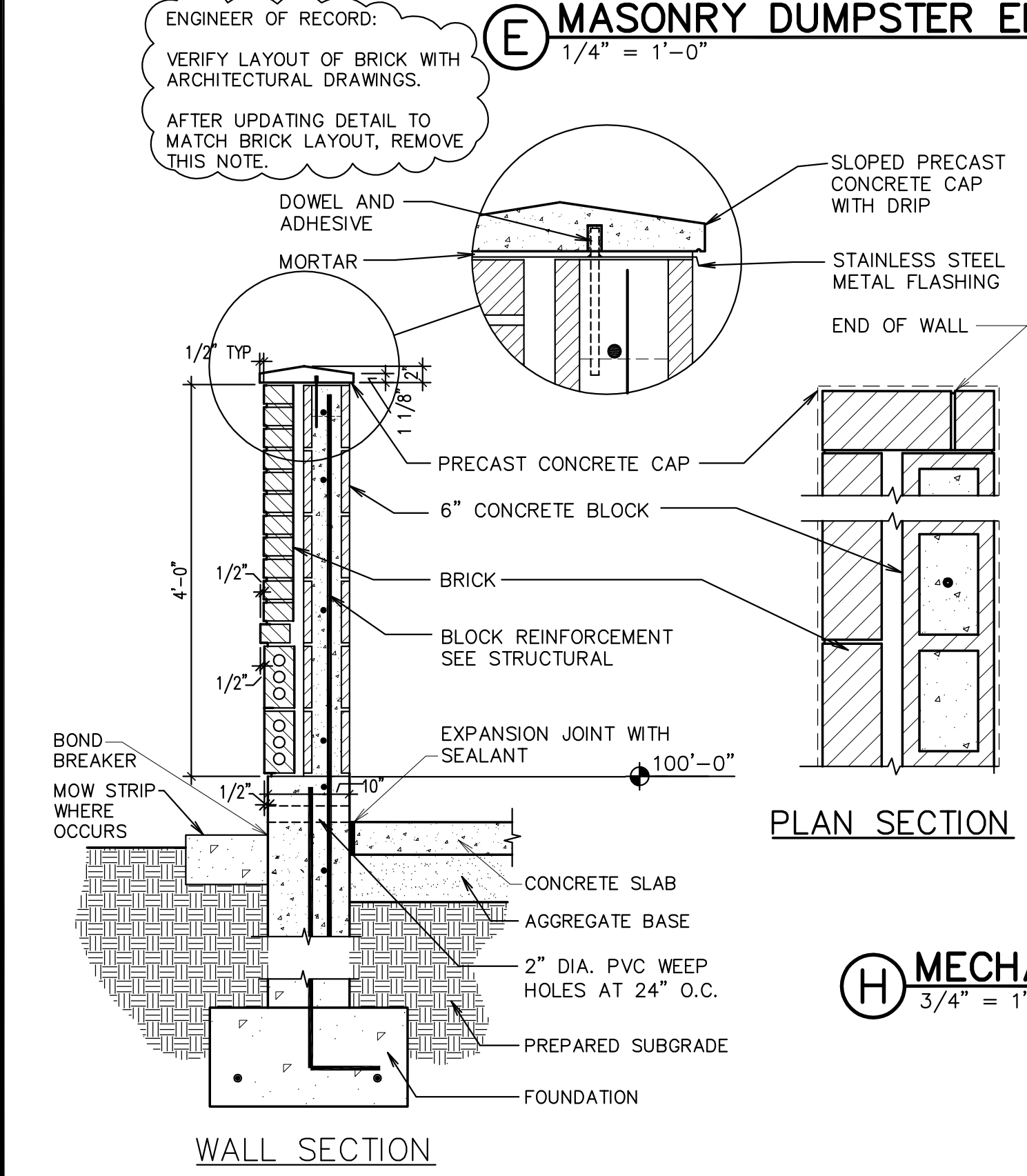
E MASONRY DUMPSTER ENCLOSURE
1/4" = 1'-0"



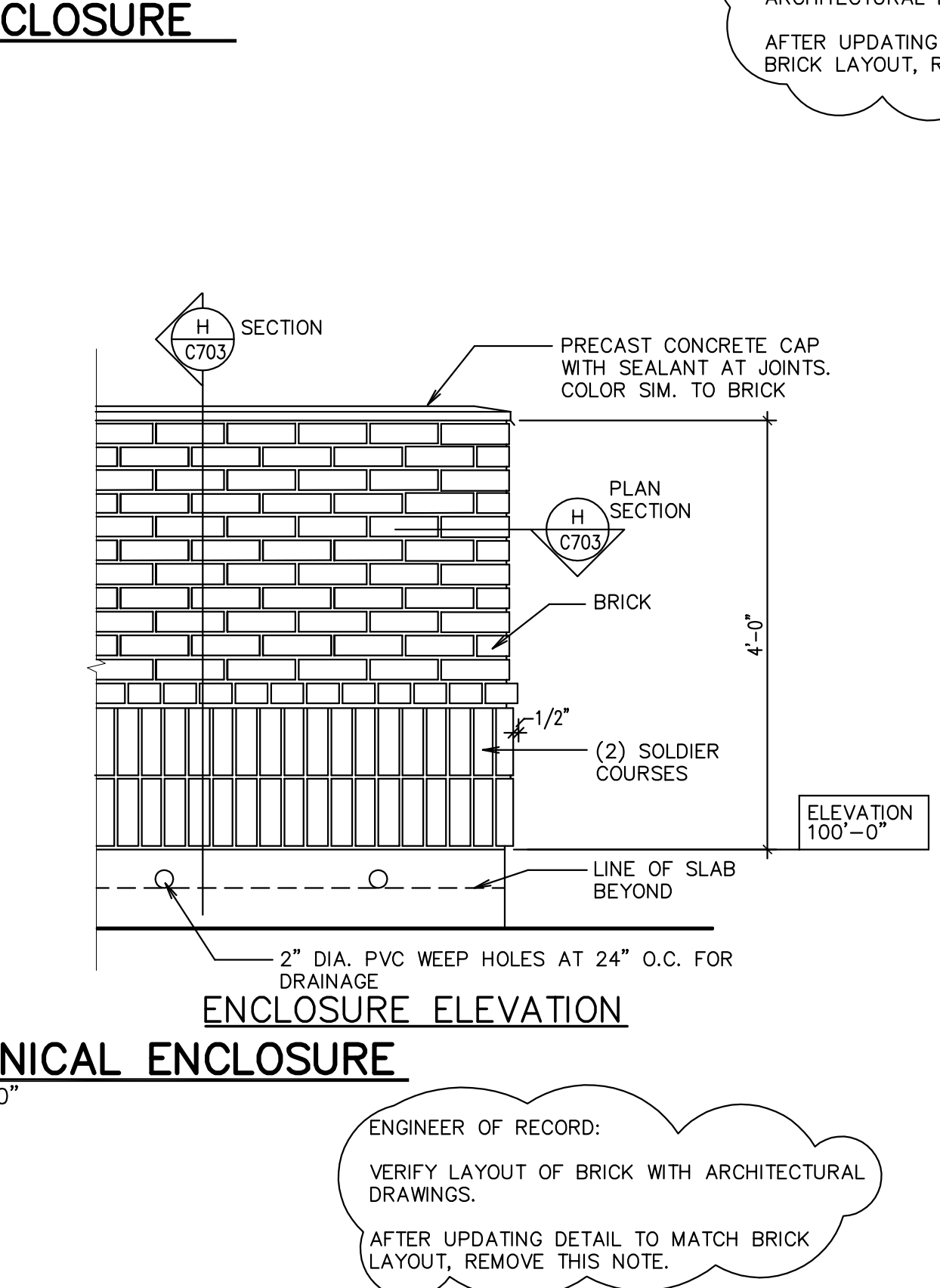
H MASONRY WALL AT DUMPSTER ENCLOSURE
1/2" = 1'-0"



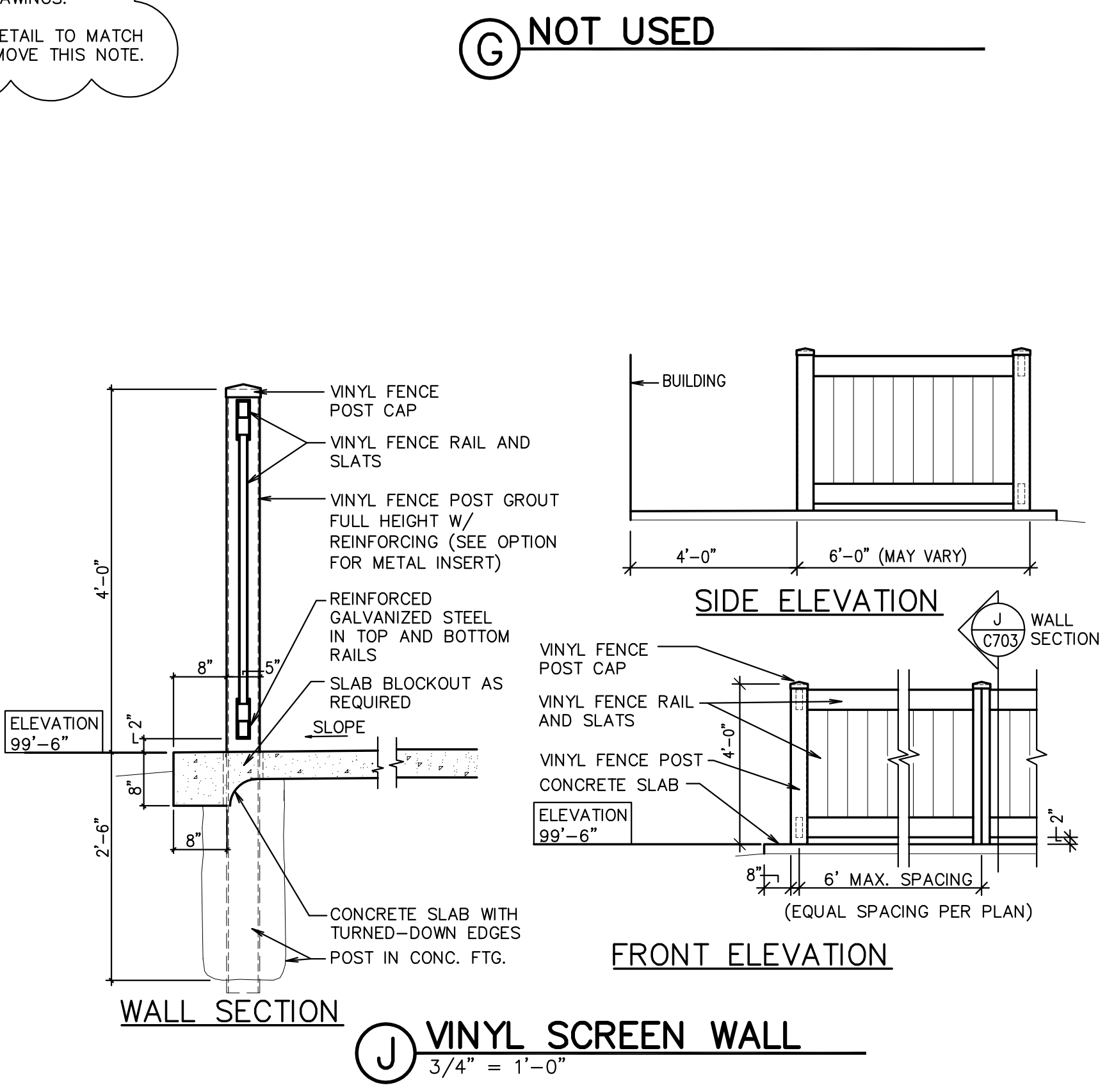
I MECHANICAL ENCLOSURE
3/4" = 1'-0"



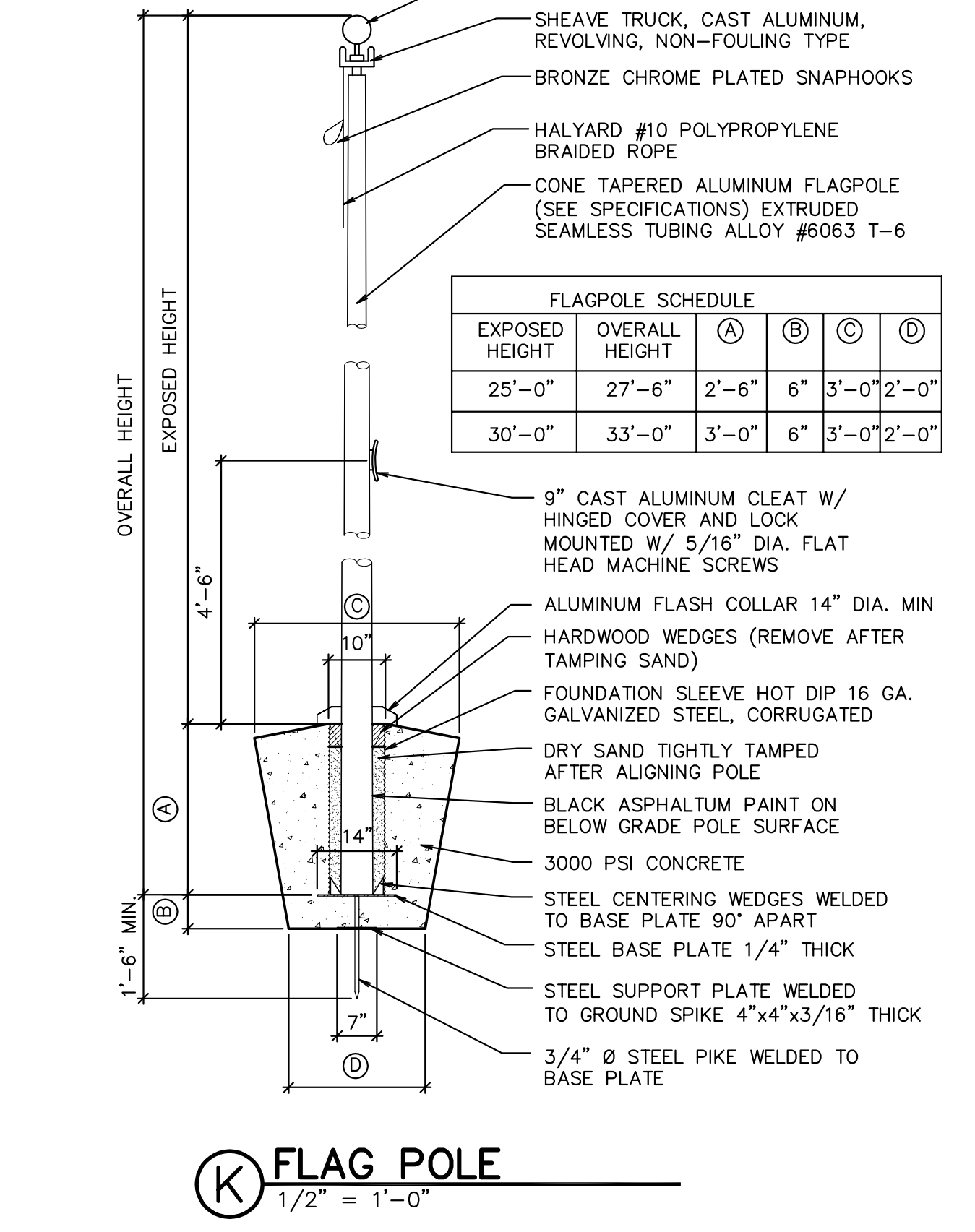
J VINYL SCREEN WALL
3/4" = 1'-0"



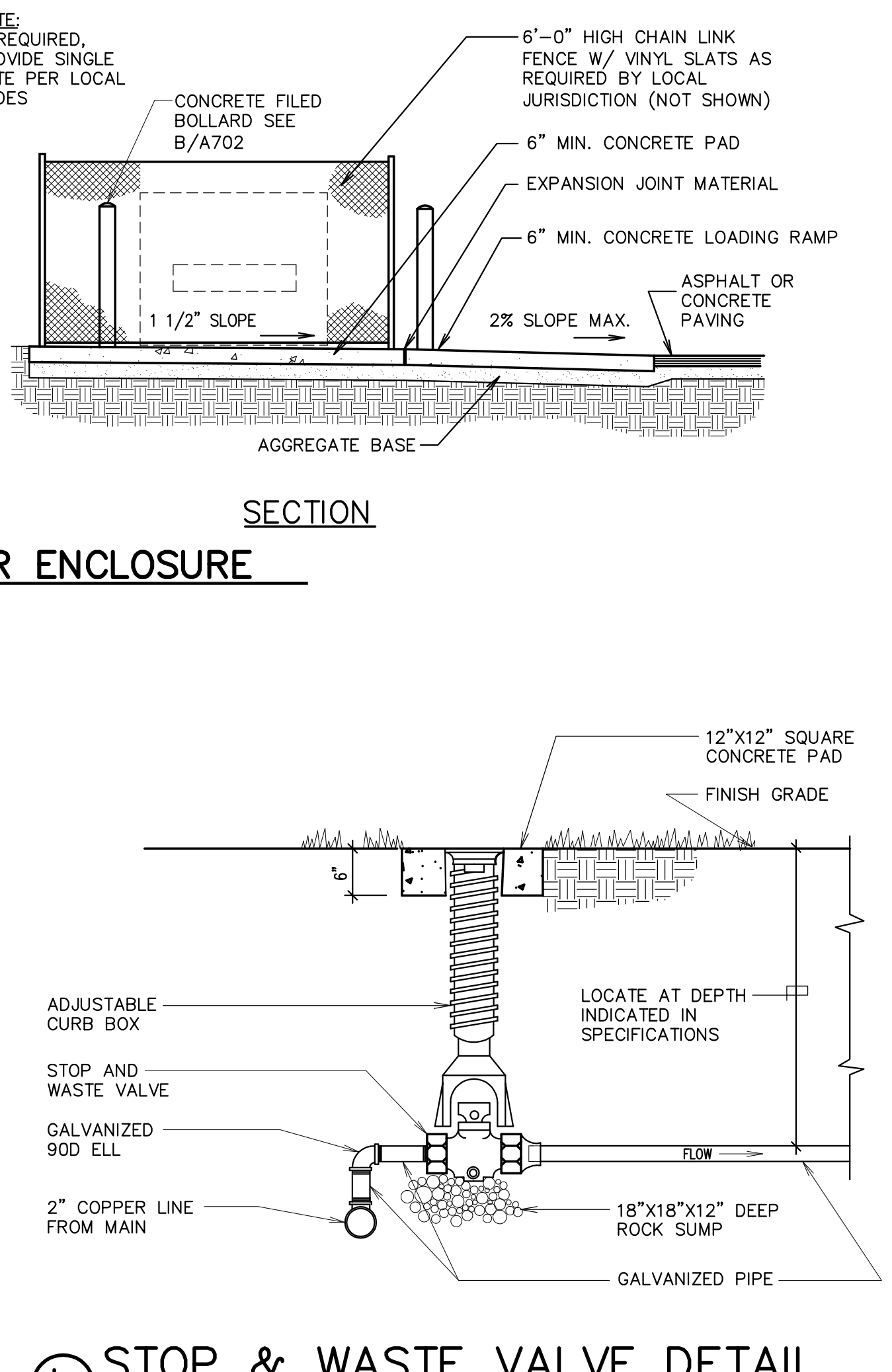
K FLAG POLE
1/2" = 1'-0"



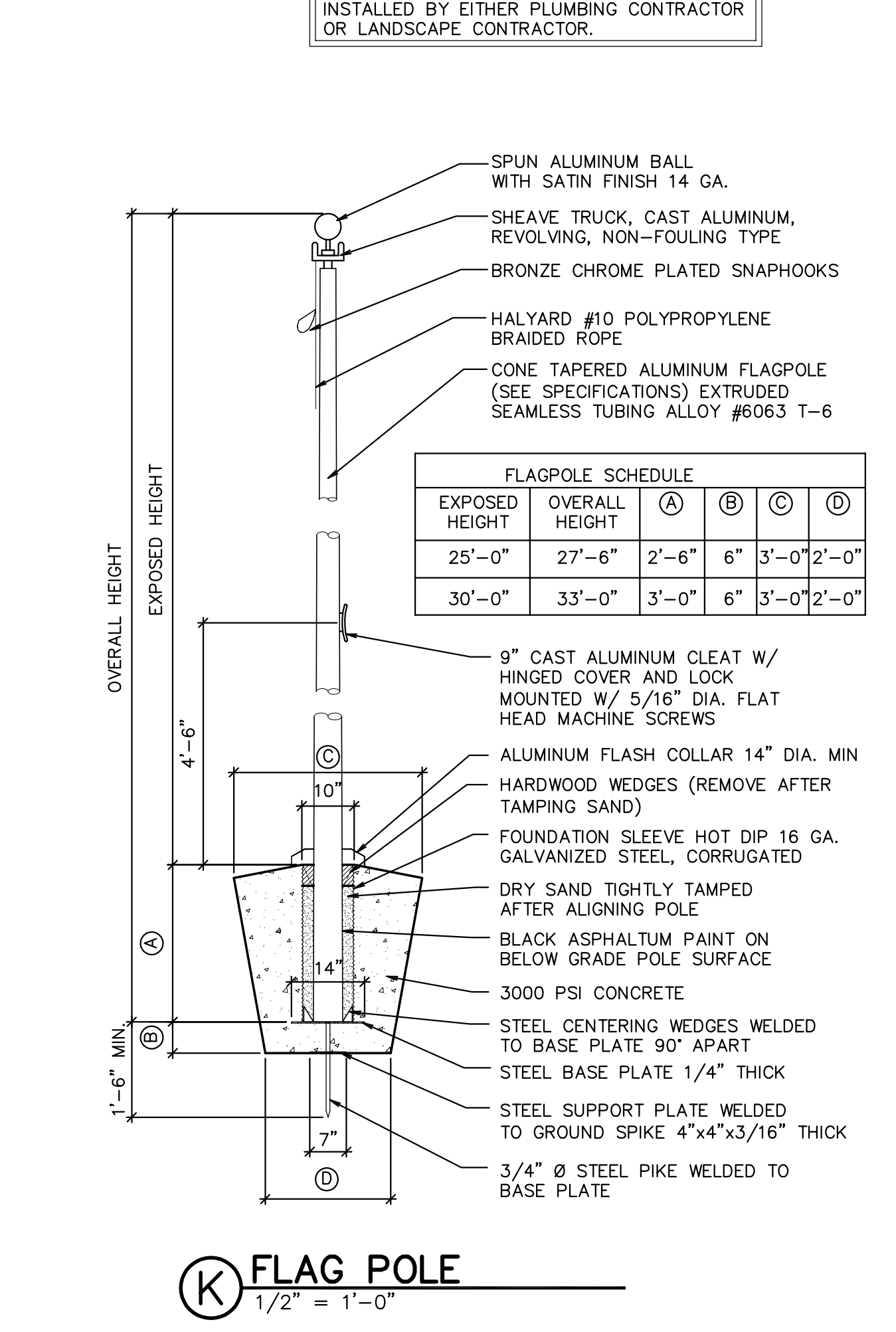
L STOP & WASTE VALVE DETAIL
NO SCALE



M NOT USED



N MASONRY DUMPSTER ENCLOSURE
1/4" = 1'-0"



O FLAGPOLE SCHEDULE

2/1/2011 5:15 PM - I:\AEC\Sections\DRS\Civil-Structural\Topics\Paving\Concrete\Previous Concrete\Civil Details\C703.dwg

Project for:
THE CHURCH OF JESUS CHRIST OF LATTER-DAY SAINTS

Sheet Title:
SITE CIVIL DETAILS

Sheet:
C703