

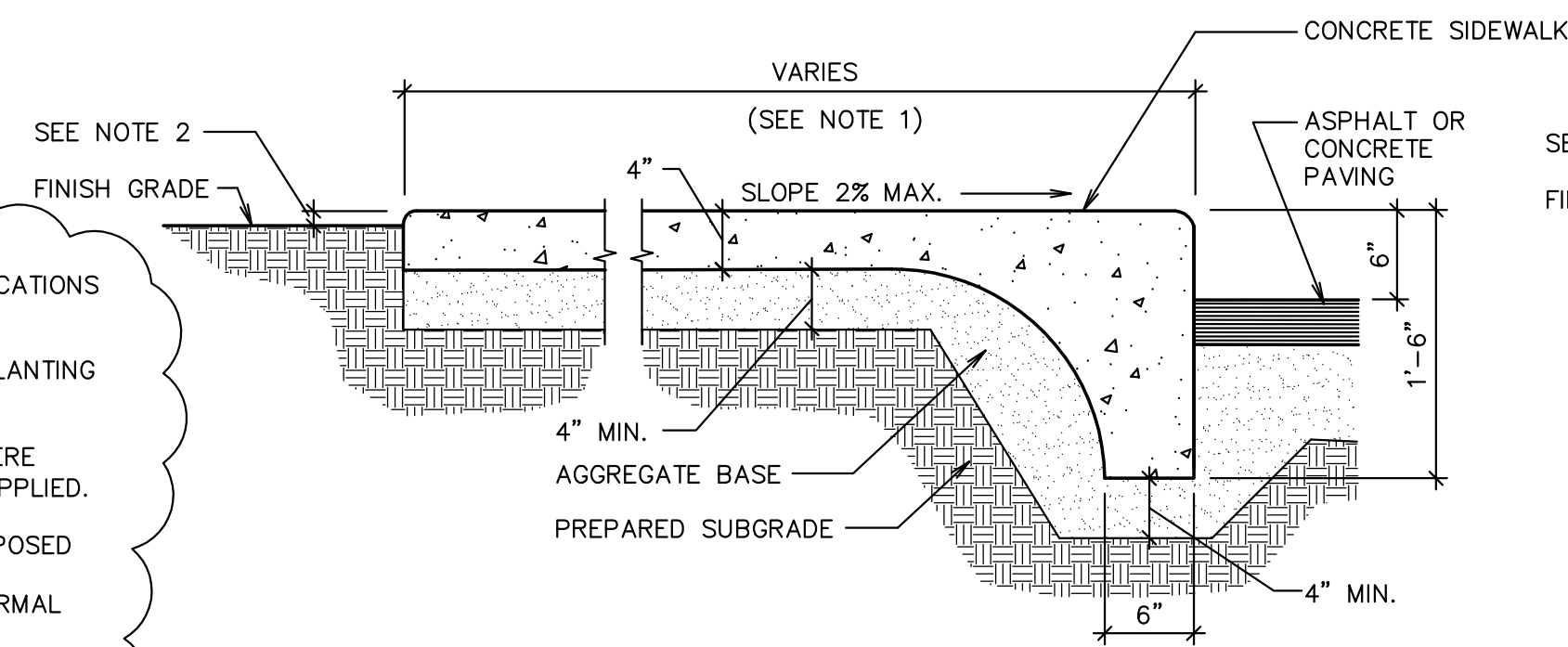
ENGINEER OF RECORD:

REVIEW NOTES AND REMOVE THIS NOTE AND CLOUD AFTER REVIEW. THESE NOTES APPLY TO SHEETS C701, C701 AND C705.

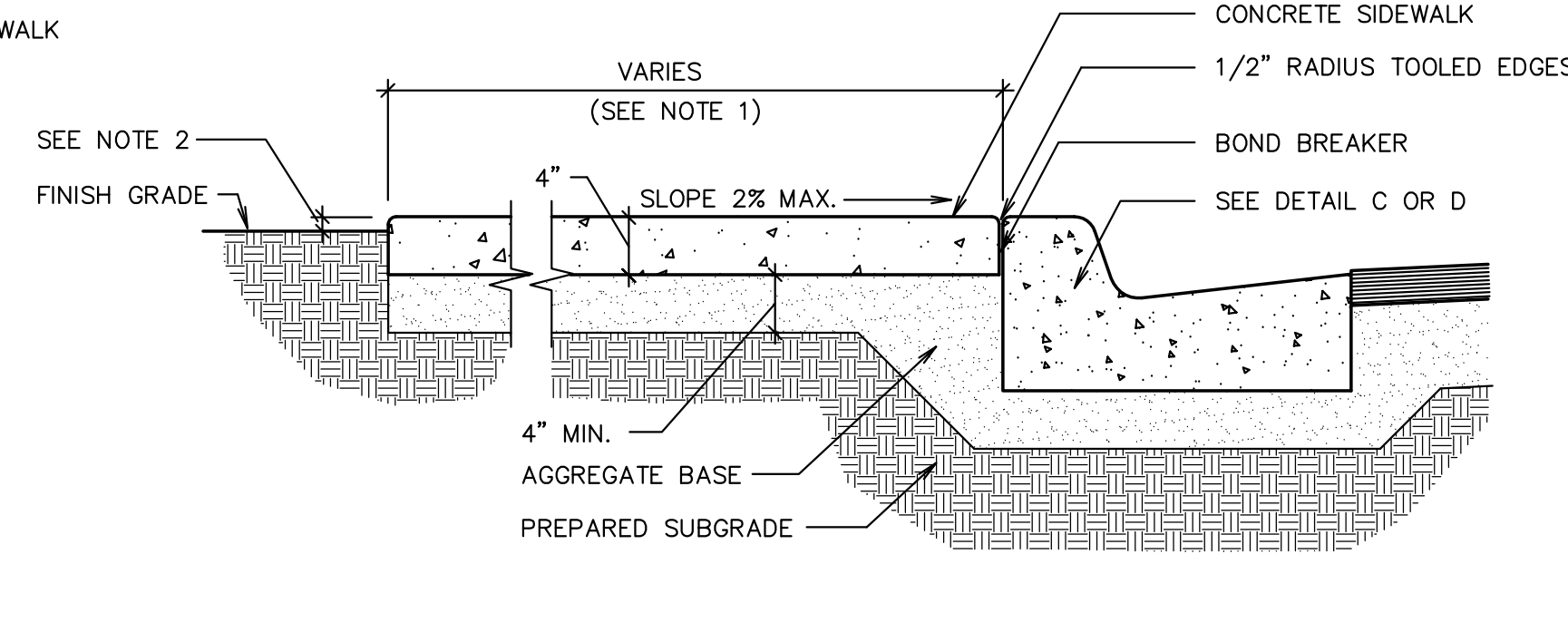
PROVIDE COMMENTS, SUGGESTIONS AND FEEDBACK TO CHRIS BARKER AT chris.barker@dscchurch.org.

GENERAL NOTES

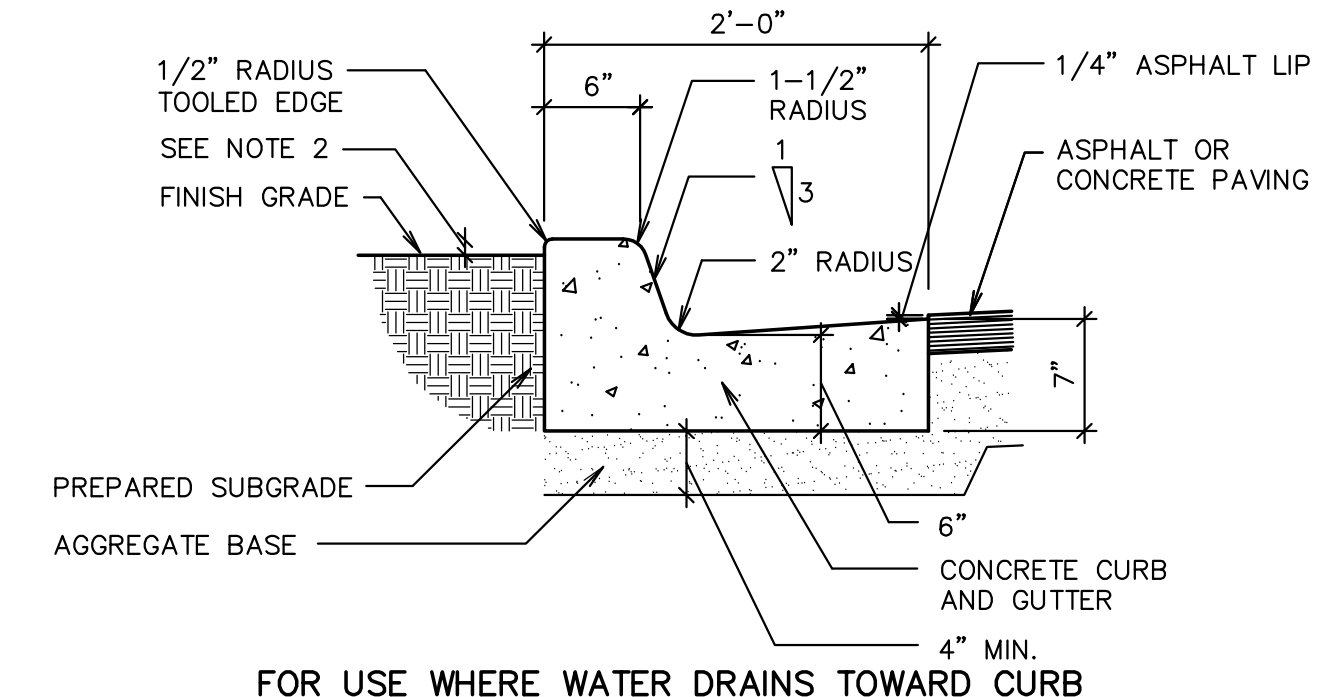
1. SEE SITE PLAN FOR APRON, MOW STRIP AND SIDEWALK LOCATIONS AND WIDTHS.
2. 1" PRIOR TO SEEDING, 2" PRIOR TO SODDING AND 3" IN PLANTING AREAS.
3. EXPANSION JOINT MATERIAL SHALL BE RECESSED 1/4" WHERE SEALANT IS NOT APPLIED, AND 1/2" WHERE SEALANT IS APPLIED.
4. EXTERIOR CONCRETE - USE 4,500 PSI. MIN. TYPE D IF EXPOSED TO FREEZING AND/OR DE-ICERS, 3,000 PSI. MIN. TYPE A OTHERWISE. EXCEPT USE 4,000 P.S.I. MIN. TYPE C FOR NORMAL WEIGHT CONCRETE PAVING.
5. CONTRACTOR TO INSTALL EXPANSION AND CONTRACTION JOINTS AS REQUIRED PER THE SPECIFICATIONS.
6. ALL AGGREGATES SHALL SATISFY ASTM AND DEPARTMENT OF TRANSPORTATION STRENGTH AND DURABILITY REQUIREMENTS. GRANITE AGGREGATES ARE PREFERRED BUT HIGH QUALITY LIMESTONE AGGREGATES ARE ACCEPTABLE. SEE SPECIFICATION



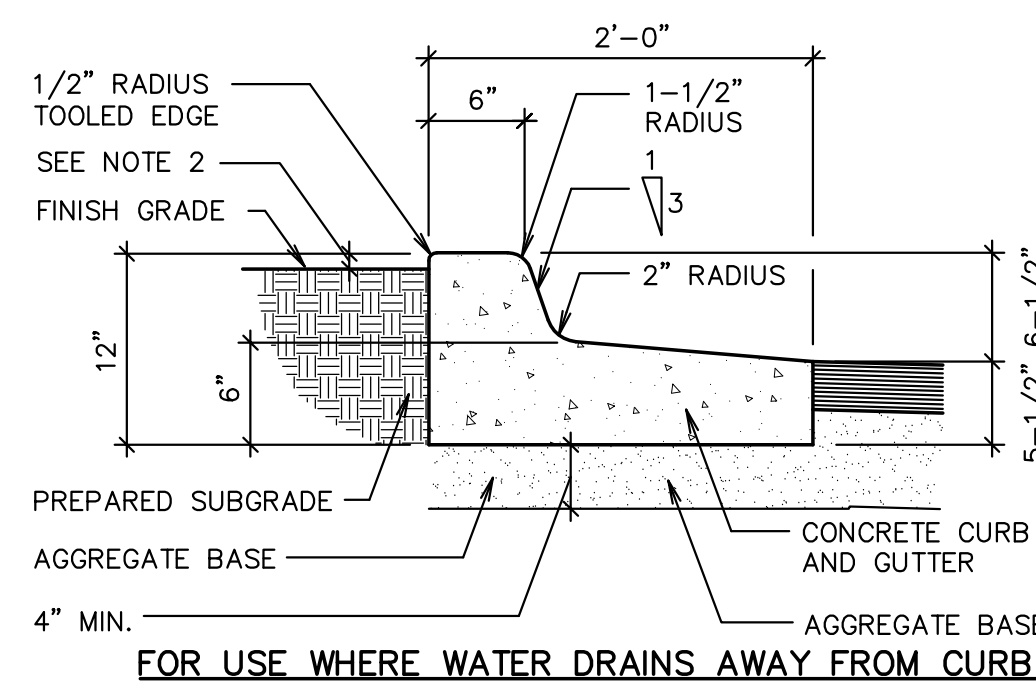
A INTEGRAL SIDEWALK CURB
1" = 1'-0"



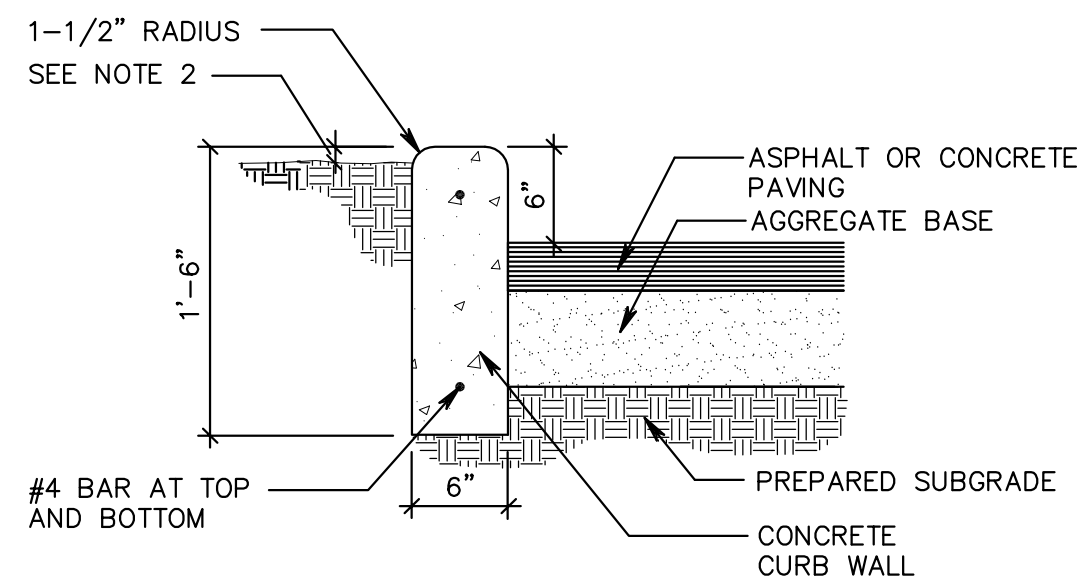
B SIDEWALK, CURB AND GUTTER
1" = 1'-0"



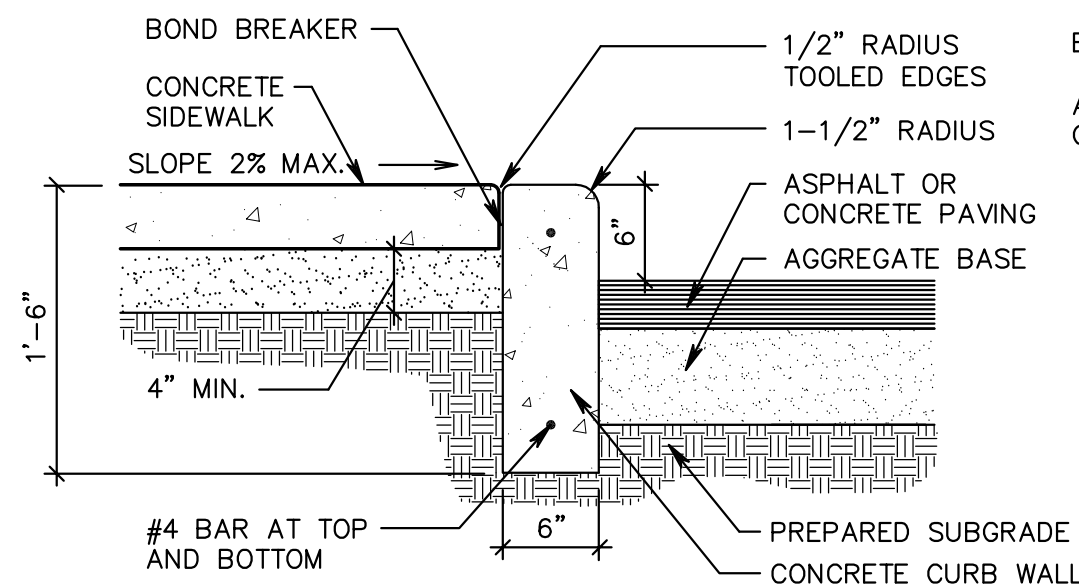
C CURB AND GUTTER
1" = 1'-0"



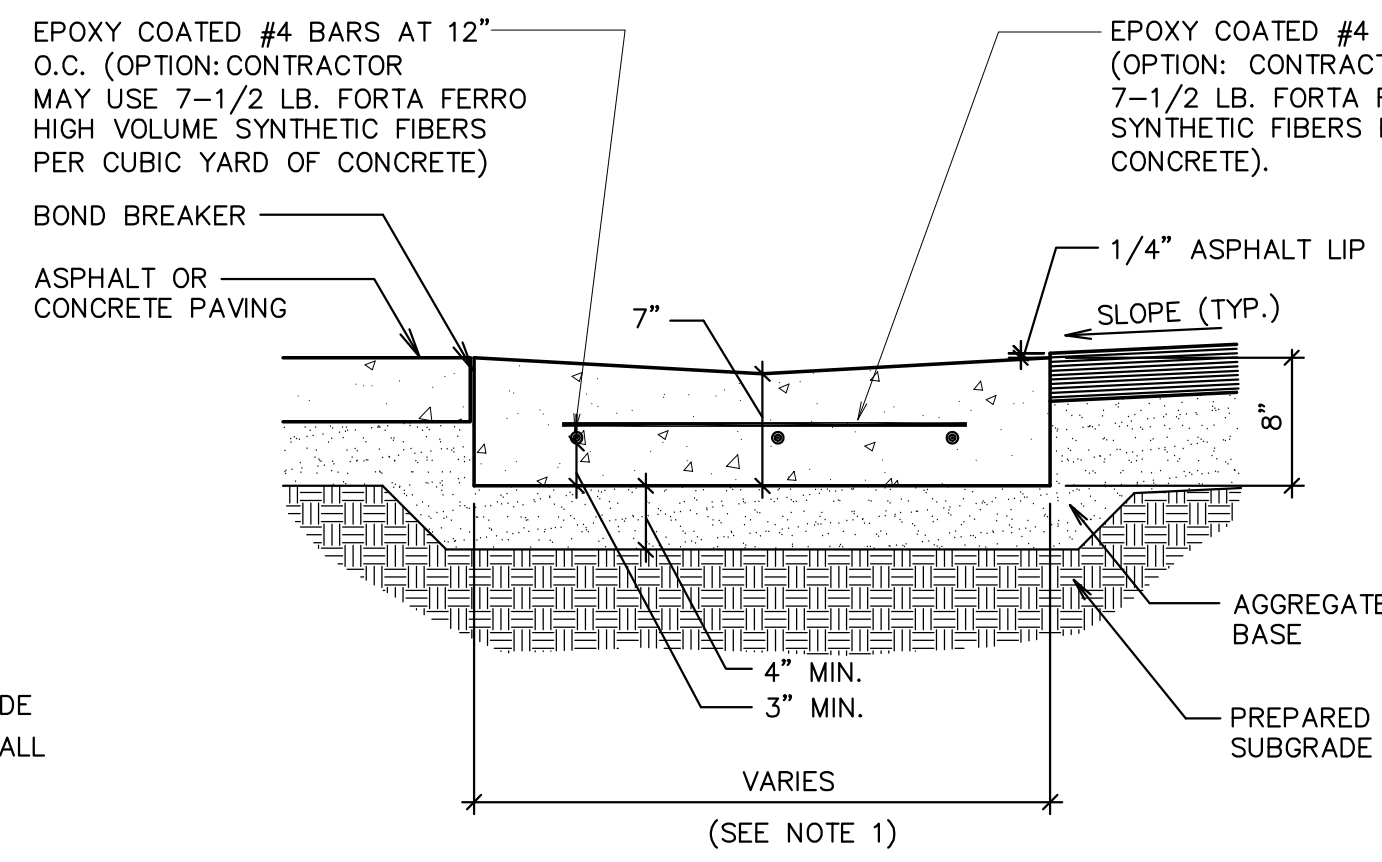
D OPEN FACE CURB AND GUTTER
1" = 1'-0"



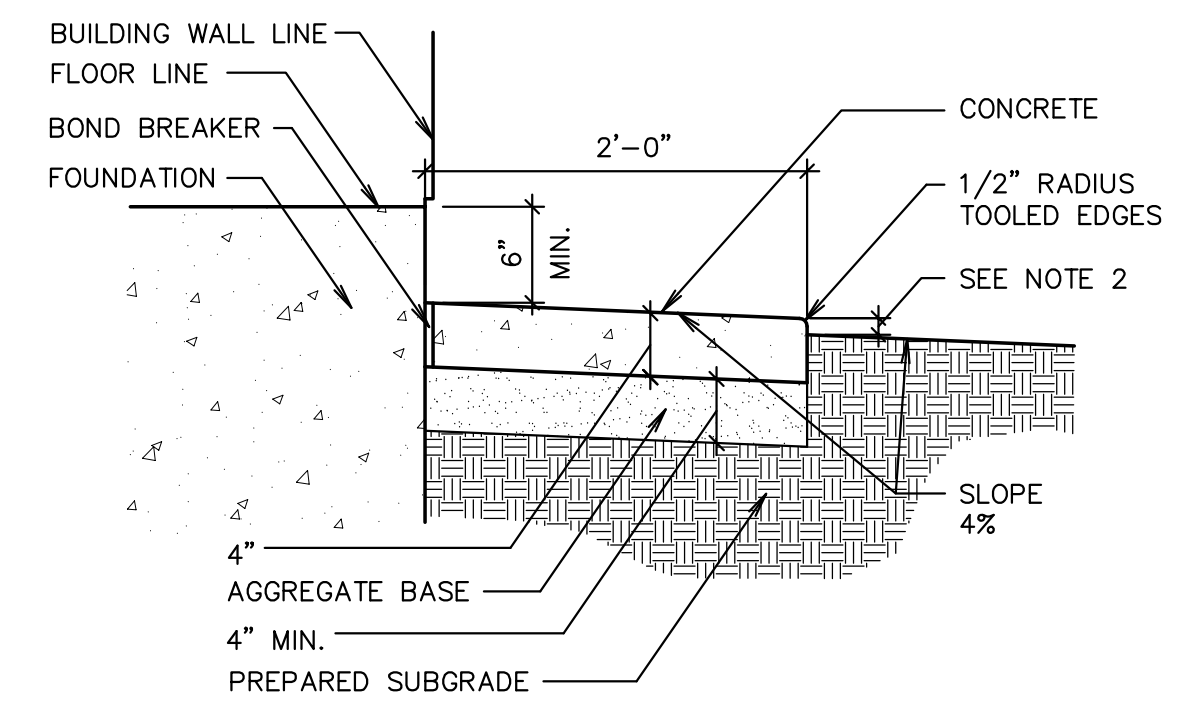
E CURB WALL
1" = 1'-0"



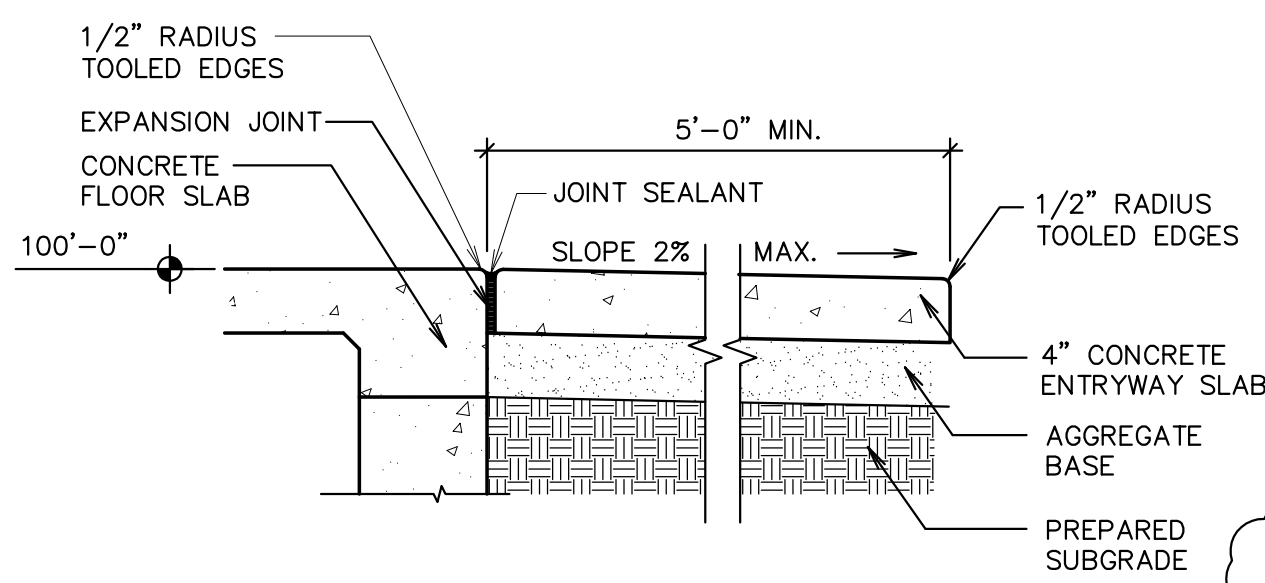
F CURB WALL WITH SIDEWALK
1" = 1'-0"



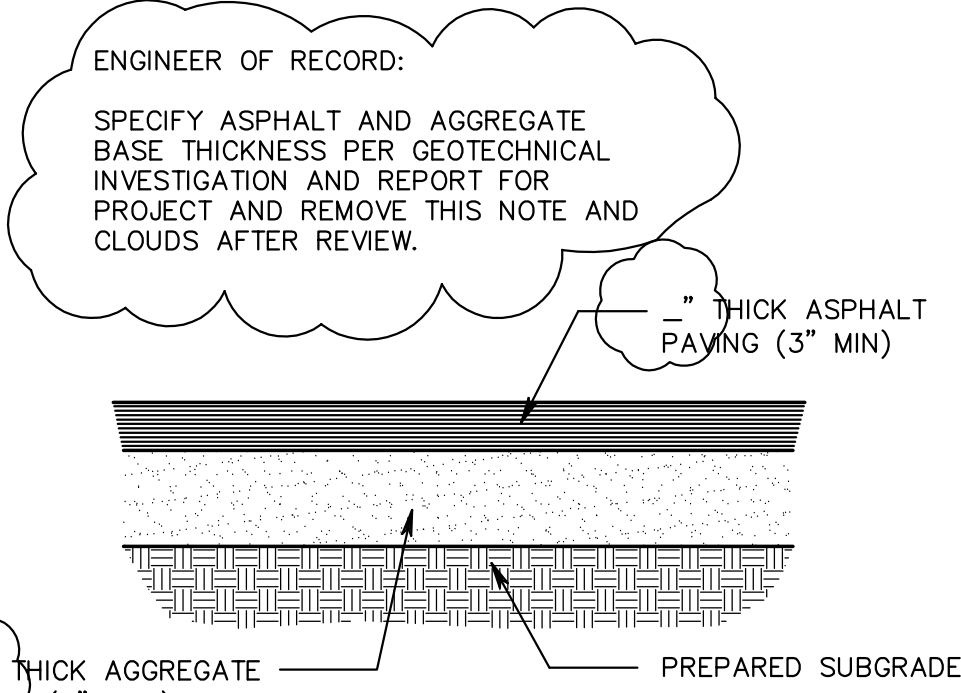
G CONCRETE WATERWAY
1" = 1'-0" (FLAT DRAINAGE STRUCTURE)



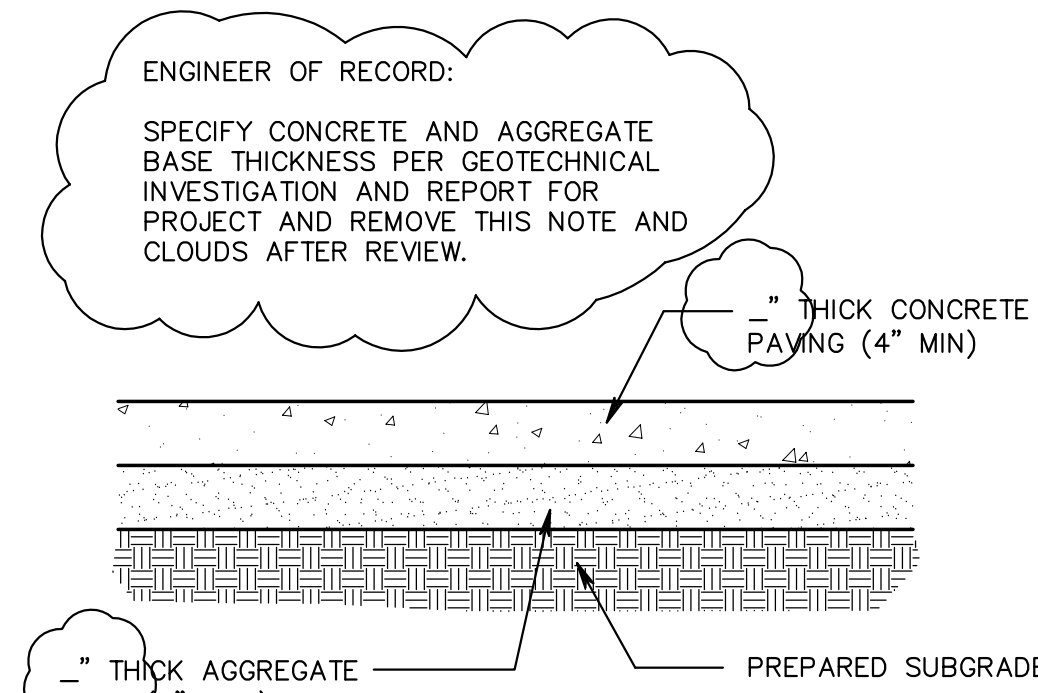
H APRON ADJACENT TO BUILDING
1" = 1'-0"



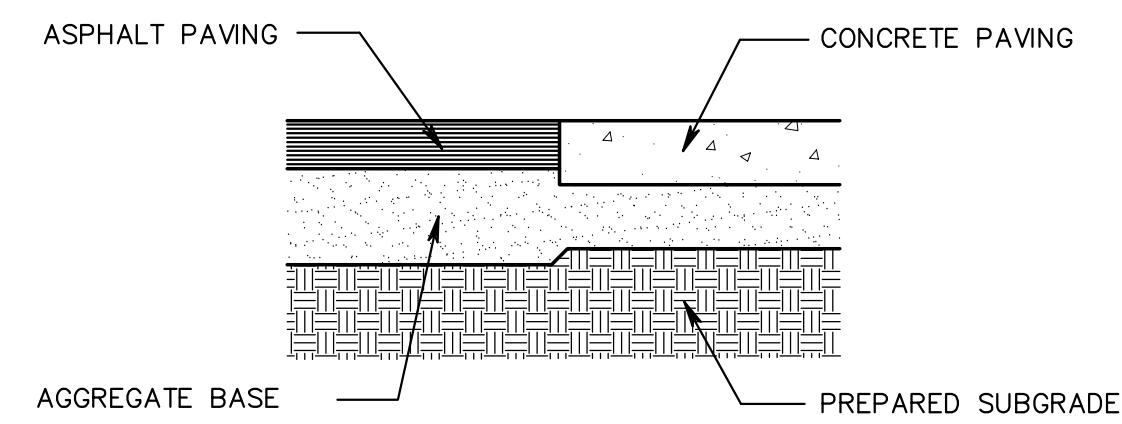
J ENTRYWAY AT DOOR
1" = 1'-0"



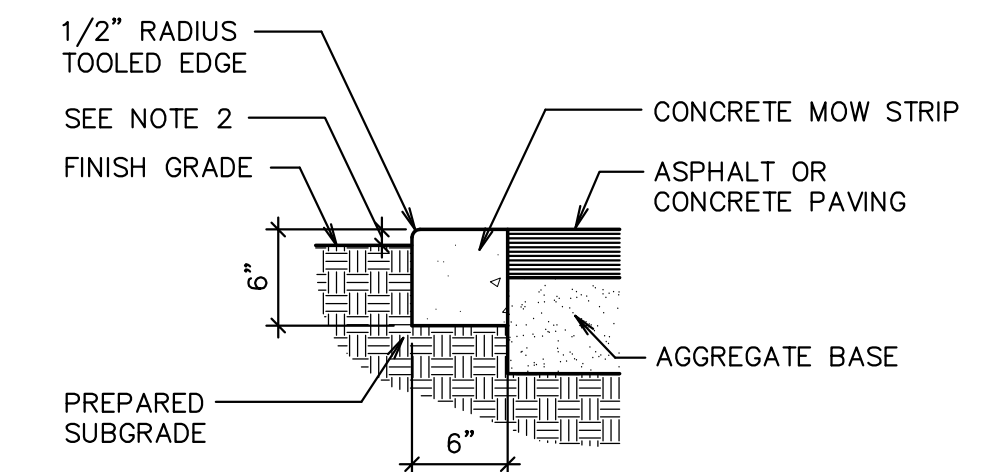
K ASPHALT PAVING
1" = 1'-0"



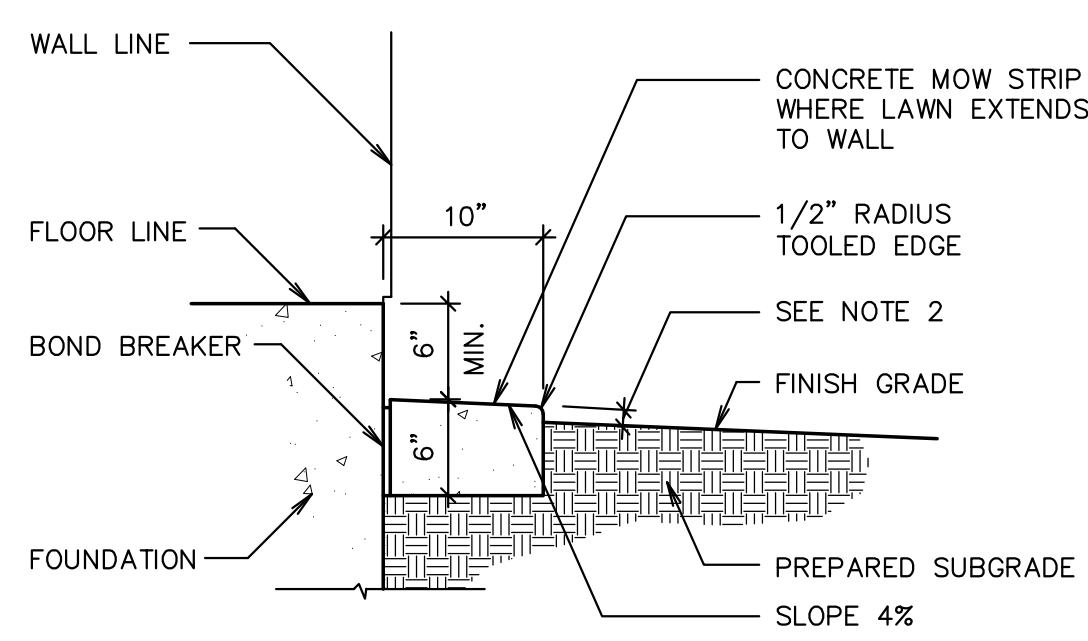
L CONCRETE PAVING
1" = 1'-0"



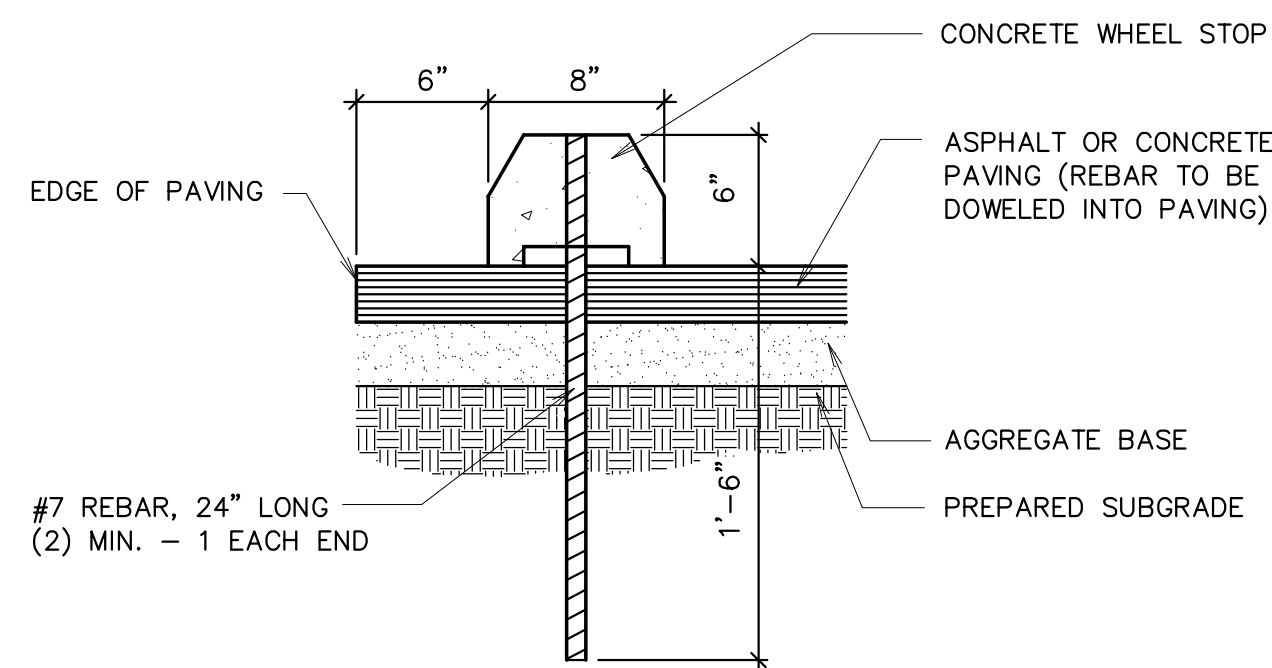
M JOINT BETWEEN ASPHALT AND CONCRETE PAVING
1" = 1'-0"



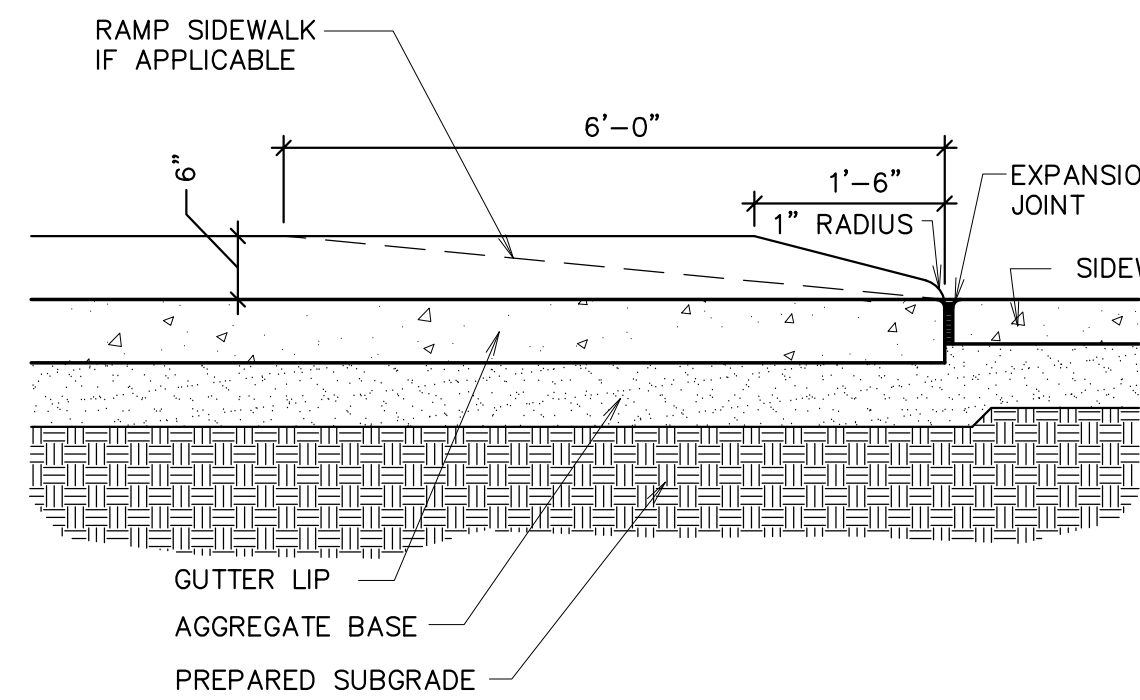
N MOW STRIP
1" = 1'-0"



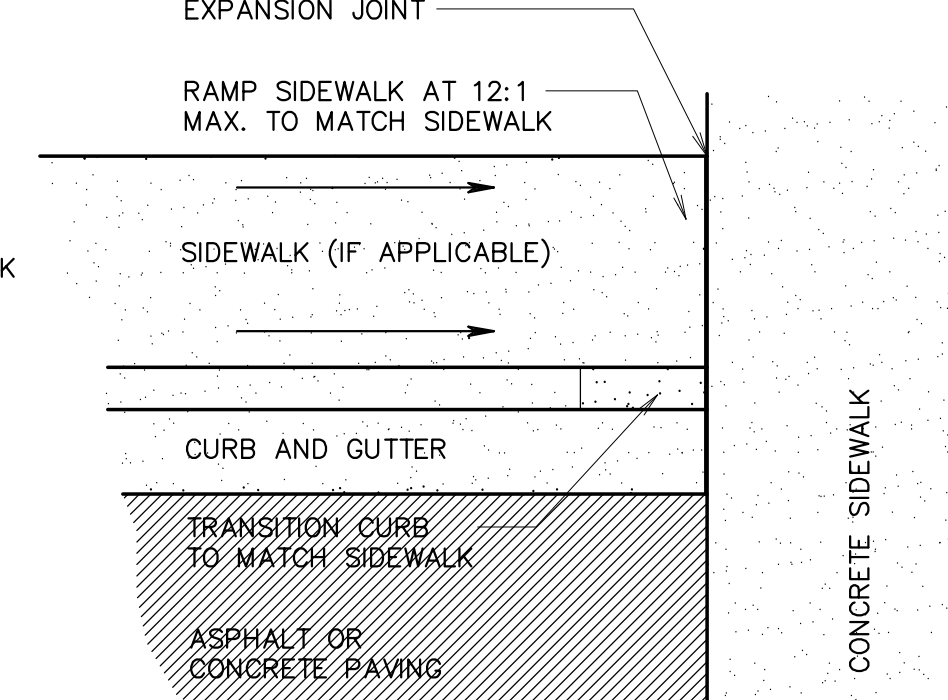
P MOW STRIP
1" = 1'-0"



Q TYPICAL CONCRETE WHEEL STOP
Not to Scale



R CURB TRANSITION
Not to Scale



S BICYCLE RACK
Not to Scale

ENGINEER OF RECORD:
SPECIFY ASPHALT AND AGGREGATE BASE THICKNESS PER GEOTECHNICAL INVESTIGATION AND REPORT FOR PROJECT AND REMOVE THIS NOTE AND CLOUDS AFTER REVIEW.

ENGINEER OF RECORD:
SPECIFY CONCRETE AND AGGREGATE BASE THICKNESS PER GEOTECHNICAL INVESTIGATION AND REPORT FOR PROJECT AND REMOVE THIS NOTE AND CLOUDS AFTER REVIEW.

ENGINEER OF RECORD:
ARCHITECT TO DETERMINE NUMBER OF BICYCLES REQUIRED AND SIZE BIKE RACK TO MATCH, THEN REMOVE THIS NOTE AND CLOUDS AFTER REVIEW.

Project for:
THE CHURCH OF JESUS CHRIST OF LATTER-DAY SAINTS

Sheet Title:
SITE CIVIL DETAILS

Sheet:
C701